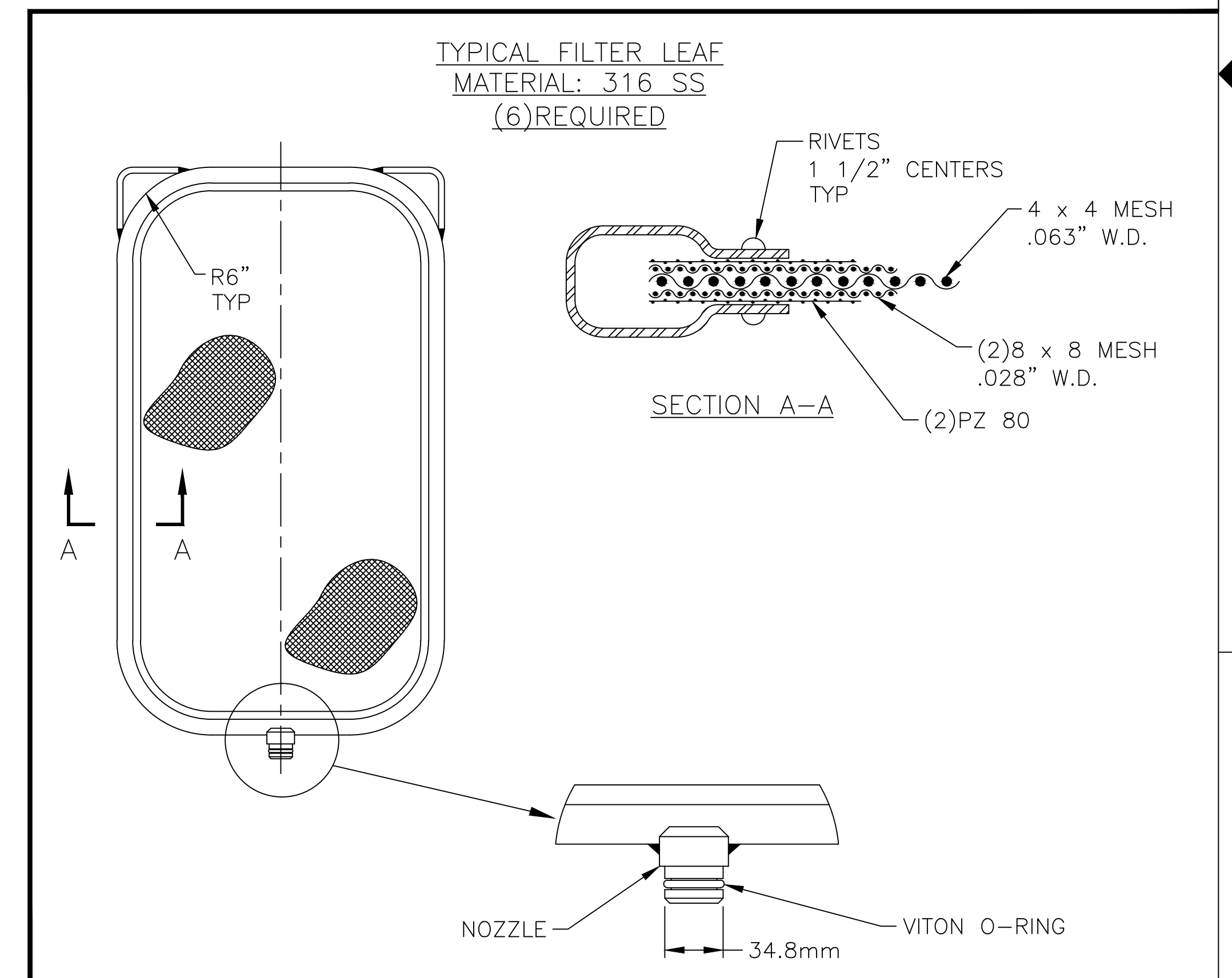
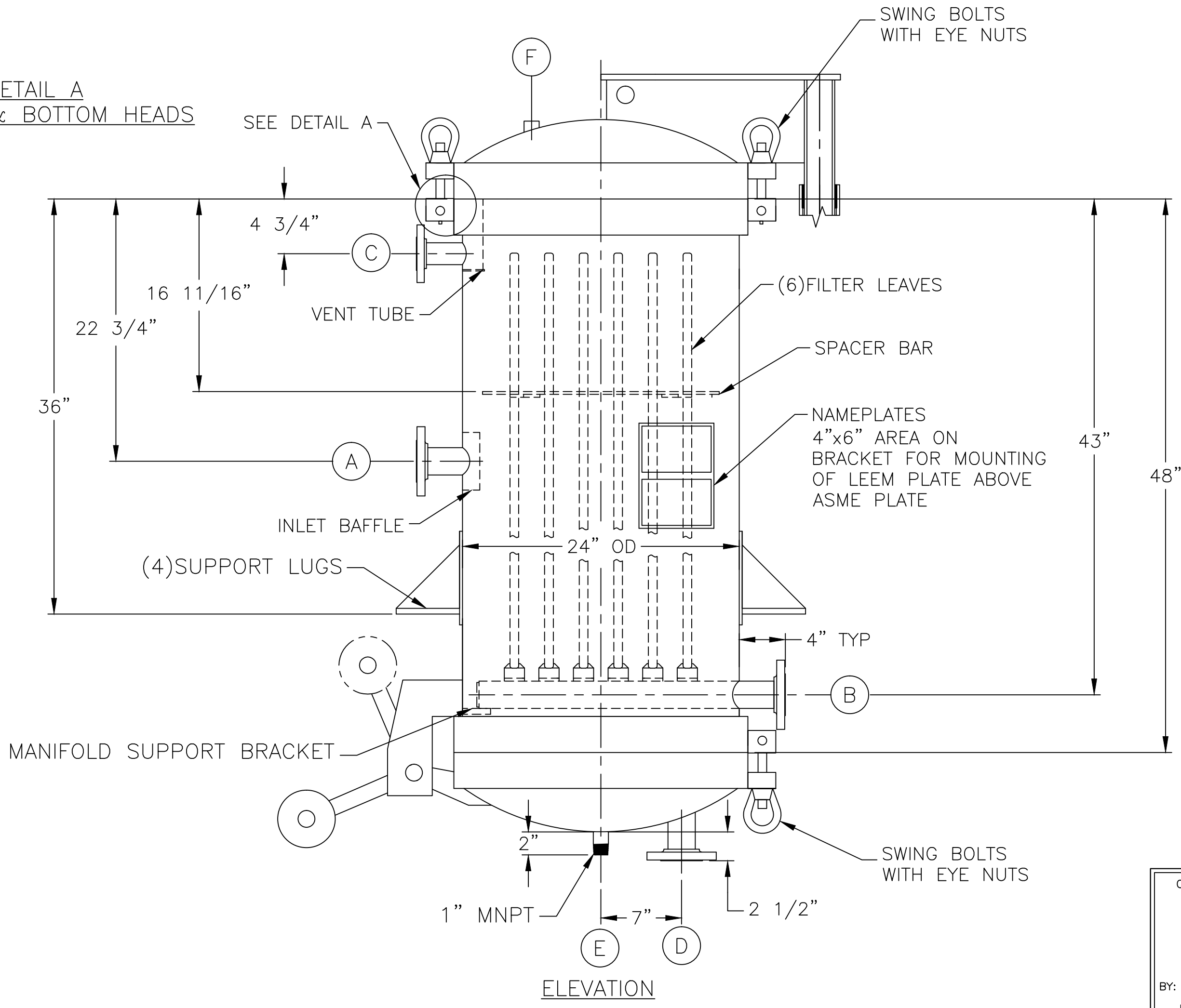
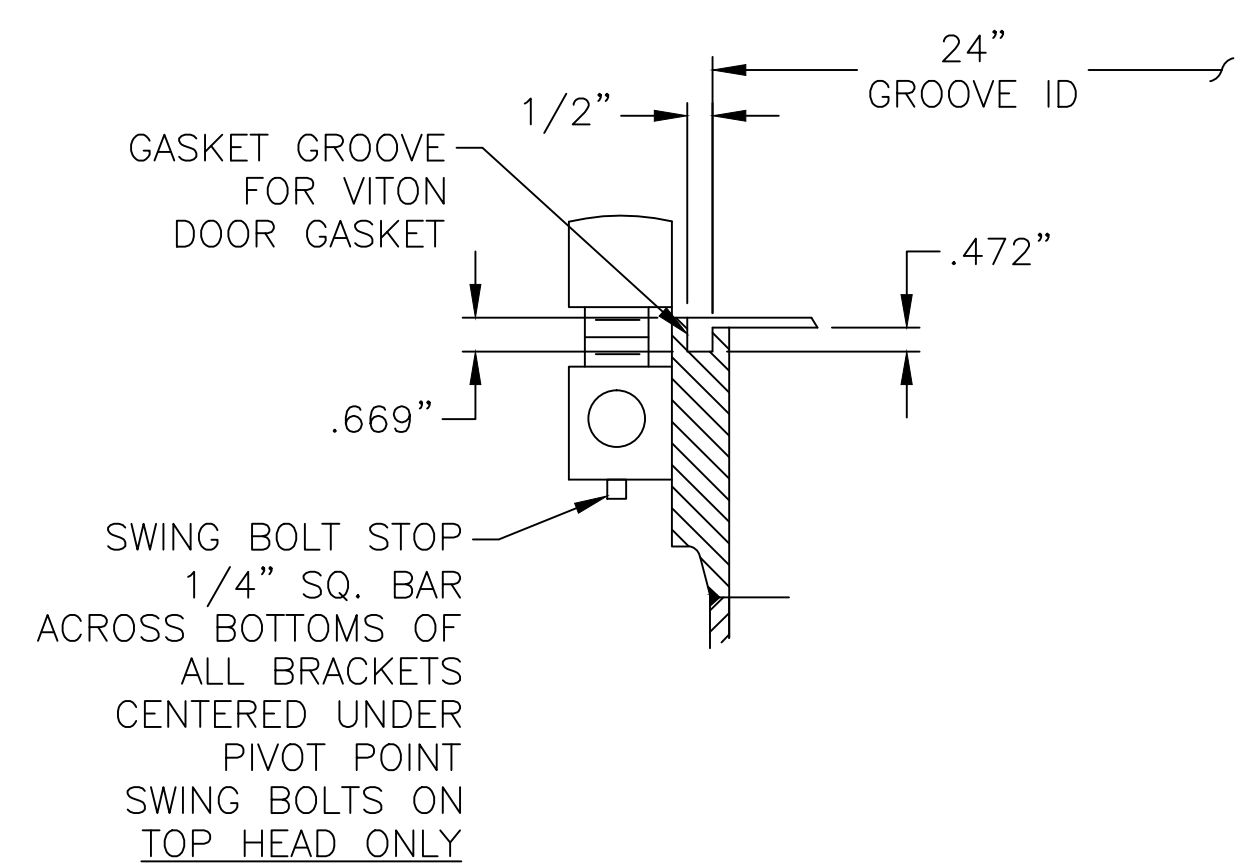
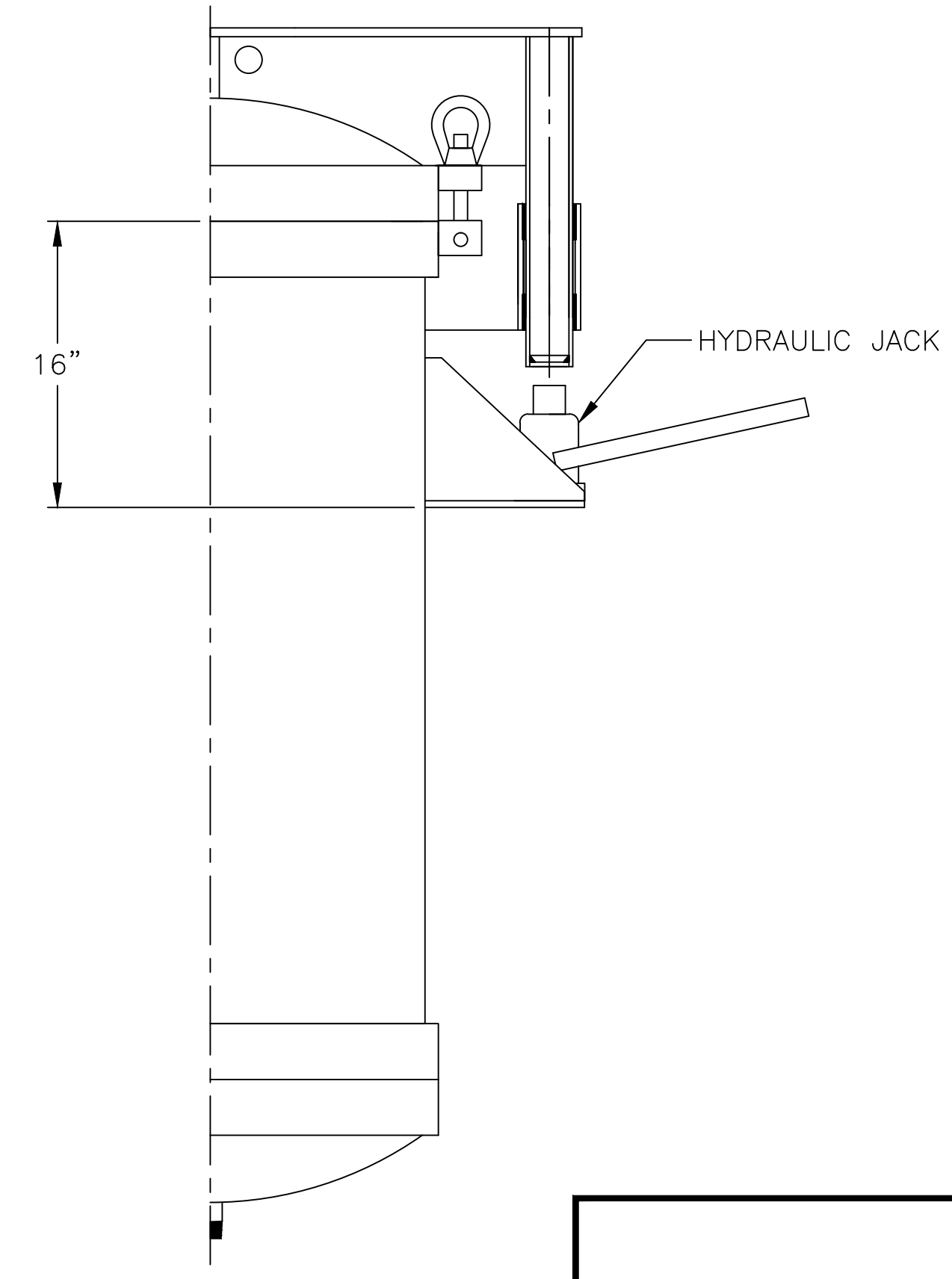
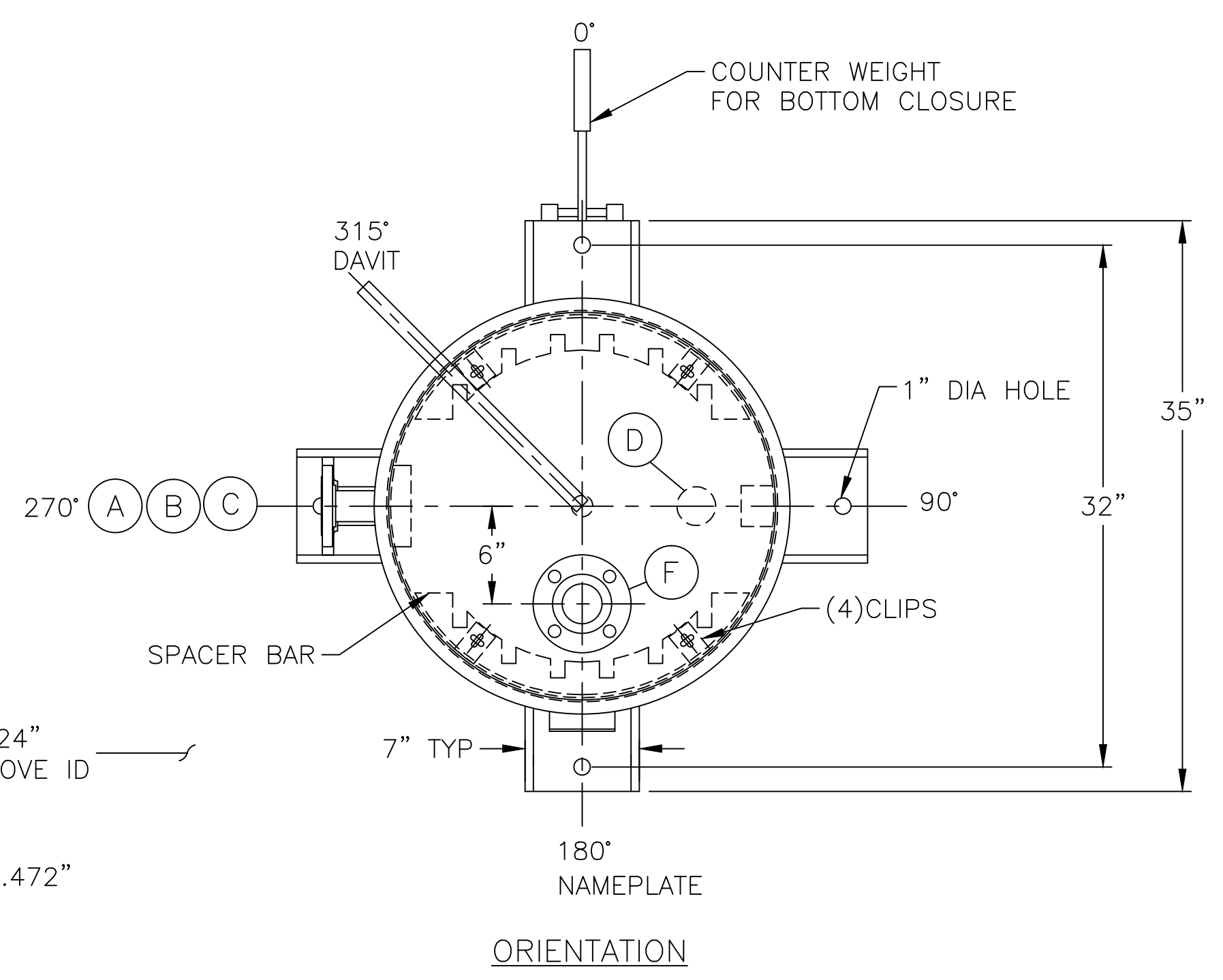


NOZZLE SCHEDULE							
MARK	QTY	SIZE	RATING	NECK THK.	MAT'L	DESCRIPTION	DET.
A	1	2"	150# RFSO FLG.	-	304 SS	INLET	
B	1	2"	150# RFSO FLG.	-	304 SS	OUTLET	
C	1	1 1/2"	150# RFSO FLG.	-	304 SS	VENT	
D	1	2"	150# RFSO FLG.	-	304 SS	DRAIN	
E	1	1"	THREADED NIPPLE	-	304 SS	HEEL	
F	1	3/4"	150# THREADED COUPLING	-	304 SS	GAUGE CONNECTION	

- NOTES:
- DESIGN: 90 PSIG @ 300°F
 - CENTER LEAF @ 20 3/4" NOM. W x 36" NOM. H.
 - VESSEL IS DESIGNED TO ASME CODE SECTION VIII DIVISION 1 AND SO STAMPED



CERTIFIED FOR PRODUCTION BY: _____ DATE: _____ LEEM/LSS FILTRATION, INC.	THIS DRAWING CONTAINS INFORMATION PROPRIETARY TO LEEM/LSS FILTRATION INCORPORATED. IT IS SUBMITTED IN CONFIDENCE AND IS TO BE USED SOLELY FOR THE PURPOSE FOR WHICH IT IS FURNISHED AND IS TO BE RETURNED UPON REQUEST. THIS DRAWING AND SUCH INFORMATION IS NOT TO BE REPRODUCED, TRANSMITTED, DISCLOSED, OR USED OTHERWISE IN WHOLE OR IN PART WITHOUT THE WRITTEN AUTHORIZATION OF LEEM/LSS FILTRATION INCORPORATED.	TOLERANCES UNLESS OTHERWISE SPECIFIED MACHINED DIMENSIONS: X.X ±.020 FINISH: 125/ X.XX ±.010 ANGLES: ±.5/ X.XXX ±.005 RADI: ±.03 FRACTIONAL DIMENSIONS: 1/X ±1/16 REMOVE ALL BURRS AND BREAK ALL SHARP EDGES: .016 x 45	LEEM / LSS Filtration 25 Arrow Road • Ramsey, NJ 07446 www.leemfiltration.com
			LEEM MODEL 24MVS40 OUTLINE SIZE DWN BY: WGM DWG NO. D-6254 REV R0 D CHK BY: _____ SCALE: NTS DATE: 3/21/12 Sheet: 1 OF 1